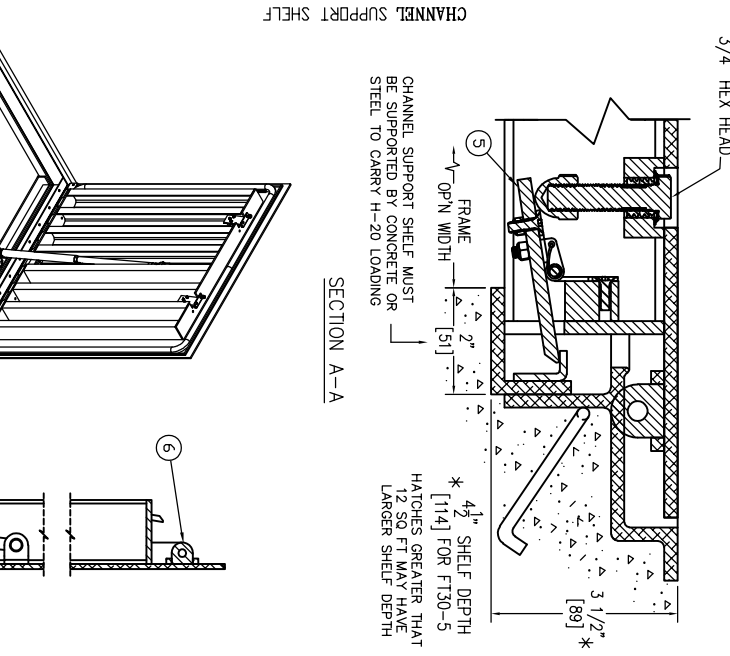
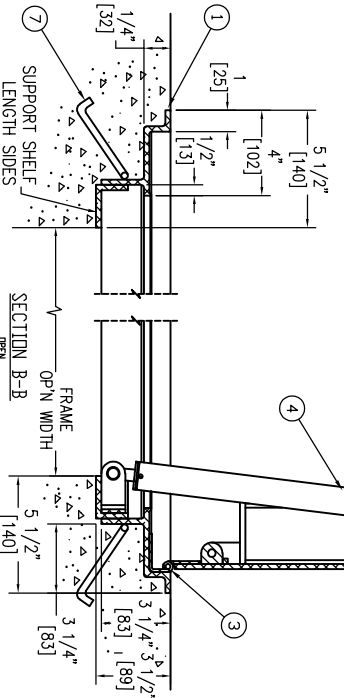
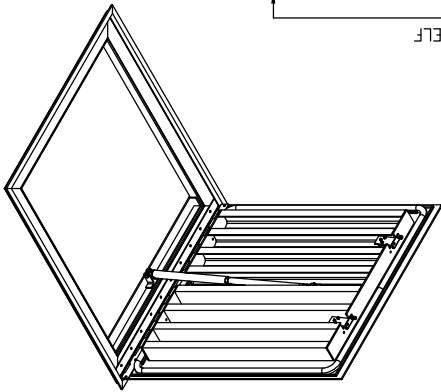


THIS DRAWING IS THE PROPERTY OF THE BILCO COMPANY. IT IS TO BE USED ONLY FOR THE PROJECT AND LOCATION SPECIFICALLY IDENTIFIED HEREIN. REPRODUCTION OR PUBLIC DISTRIBUTION IN WHOLE OR IN PART IS EXPRESSLY PROHIBITED WITHOUT THE WRITTEN CONSENT OF THE BILCO COMPANY. THE INFORMATION CONTAINED HEREIN REMAINS THE PROPERTY OF THE BILCO COMPANY. ALL RIGHTS RESERVED.



NOTE:
 1. DESIGNED TO WITHSTAND H-20 WHEEL LOADINGS SUITABLE FOR USE IN OFF-STREET LOCATIONS, INFREQUENT & INCIDENTAL WHEEL LOADINGS ONLY. NOT SUBJECTED TO HIGH DENSITY TRAFFIC.
 2. DESIGN FACTORY TESTED TO WITHSTAND 30' HEAD OF WATER.



- SPECIFICATIONS**
1. BILCO 1/4" ALUMINUM FRAME
 2. 1/4" ALUMINUM DIAMOND PATTERN PLATE COVER
 3. PLANO HINGE, 3" WITH STAINLESS STEEL PIN
 4. GAS SPRINGS WITH DAMPER & HOLD OPEN FEATURE
 5. LEVER LOCK
 6. EPDM GASKET (ALL AROUND COVER)
 7. 3/8" DIA. ALUMINUM ANCHOR ROD (SPACED 18" O.C.)
- SHOP FINISH:**
 ALUMINUM: MILL FINISH
 HARDWARE: TYPE 316 STAINLESS STEEL
 (UNLESS OTHERWISE SPECIFIED)
 REINFORCED FOR H2O LOADING

INSTALLER NOTES:

A. USE CAUTION. COVER IS SPRING LOADED. DO NOT REMOVE SAFETY SHIPPING BOLT UNTIL UNIT IS TO BE INSTALLED AND IN NORMAL HORIZONTAL OPERATING POSITION.

B. BEFORE ANCHORING IN PLACE OPEN AND CLOSE DOOR. CHECK TO SEE THAT THE DOOR IN THE CLOSED POSITION RESTS ON THE FRAME ALL AROUND. IF NOT, SHIM UNDER THE FRAME AT THE PROPER CORNER.

CUSTOMER: _____

P.O. NO.: _____

JOB: _____

TAG: _____

SALES REP.: _____

APPROVED BY: _____

DATE: _____

Manufacturers of Doors for Special Services
THE BILCO COMPANY
 New Haven, Connecticut 06595

SINGLE LEAF FLOODTIGHT ACCESS DOOR

TYPE FT30 - EXTERIOR

QTY	TYPE	SIZE	WIDTH x LENGTH
	FT30-1	2'-0" x 2'-0"	[610mm] x [610mm]
	FT30-2	2'-6" x 2'-6"	[762mm] x [762mm]
	FT30-3	3'-0" x 2'-6"	[914mm] x [762mm]
	FT30-4	3'-0" x 3'-0"	[914mm] x [914mm]
	FT30-5	3'-6" x 3'-6"	[1065mm] x [1065mm]